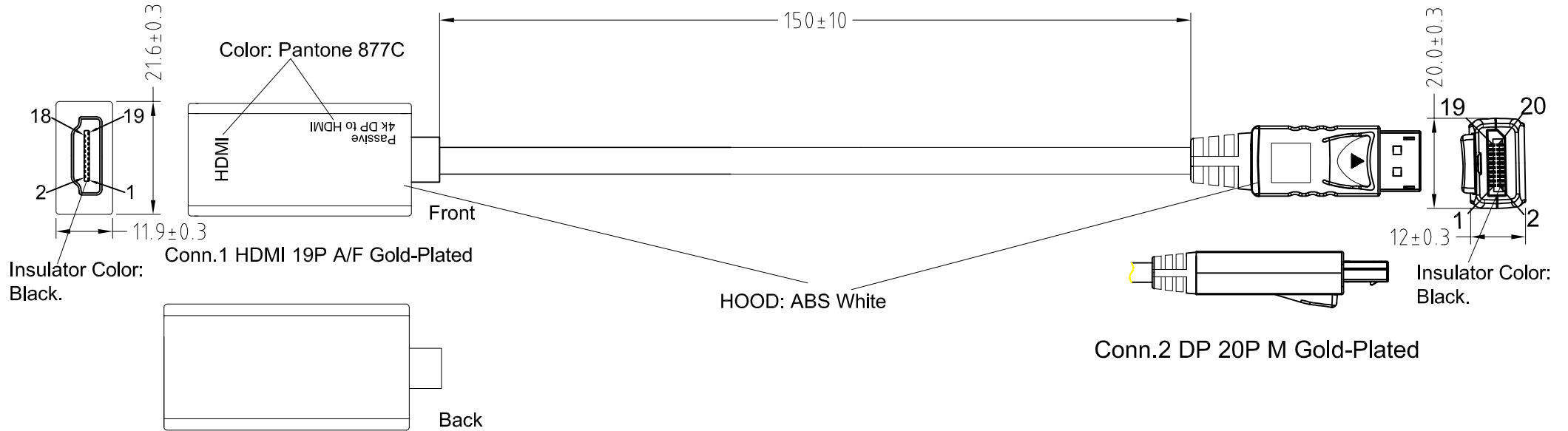


ROHS-COMPLIANT

LTR	REV.	DESCRIPTION	DATE
	A	NEW VER	20/07/16'



Features:

1. Compliant to the VESA DisplayPort Standard.
2. Supports DisplayPort™1, 2 and 4 lanes.
3. Supports full link training, fast link training and no link training.
4. HDMI 1.4 compliant with maximum data rate 3.0Gbps.
5. Content protection of HDCP 1.3 for DisplayPort™ and HDMI/DVI.
6. Supports 4k\*2k and 1080p Stereo 3D HDMI formats.
7. Low power consumption.
8. Housing Colour: White.

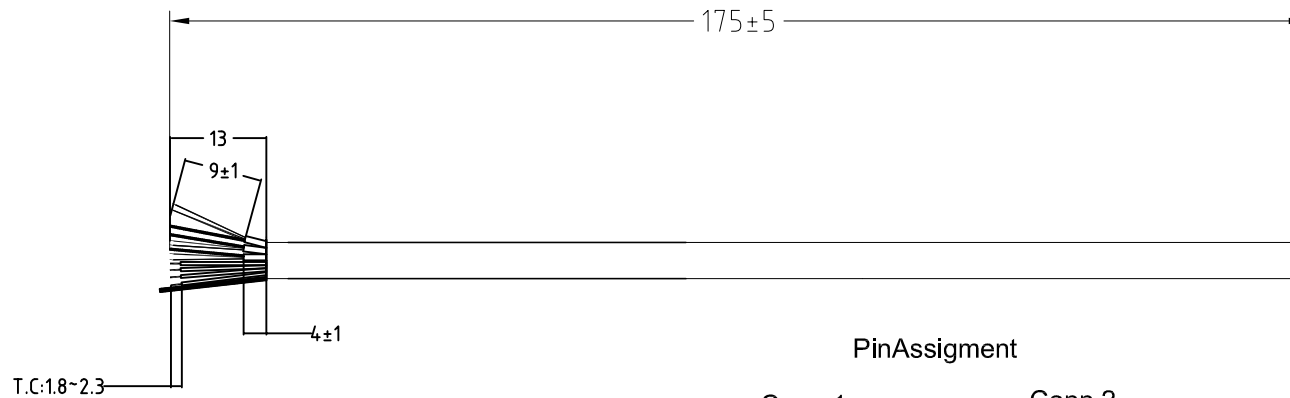
PACKING:

Each PC / ZIPBAG.

Tolerance Inch mm		Arvanics Corporation			
.X	.015	.30	Title		
.XX	.010	.10	DHDM-0015K		
.XXX	.005	.05	Customer P/N:		
Draw		App'd			
Andy 20/07/16		Customer			
Check		Scale	NONE	Units	m/m
Engr		Third Angle Projection			
Dwg No.			REV: A	Sheet 1/2	

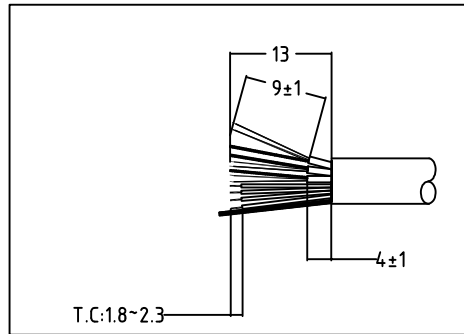
ROHS-COMPLIANT

LTR	REV.	DESCRIPTION	DATE
	A	NEW VER	20/07/16'



T.C:1.8~2.3

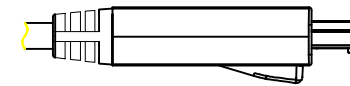
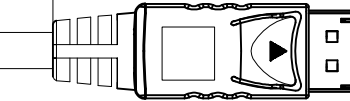
Conn.1 OPEN



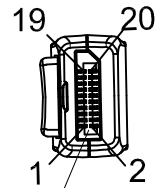
T.C:1.8~2.3

PinAssignment

Conn.1	Conn.2
Open	GND 2
Open	1 BLACK
Open	3 WHITE
Open	GND 5
Open	4 BROWN
Open	6 WHITE
Open	GND 8
Open	7 RED
Open	9 WHITE
Open	GND 11
Open	10 GREEN
Open	12 WHITE
Open	13 YELLOW
Open	14 GREEN
Open	GND 16
Open	15 BLUE
Open	17 WHITE
Open	18 PURPLE
Open	19 WHITE
Open	20 RED
SHELL	SHELL



Conn.2 DP 20P M Gold-Plated



Insulator Color: Black.

NOTE:

- CABLE:  
UL20276[(32AWG+D+AL/MYLAR)\*5P+  
32AWG\*4C+28AWG\*1C+AL+D(7/0.08BC)+B  
(16/7/0.12TC) ,PVC JACKED OD: 5.0mm,Color: White.
- CONNECTOR: Conn.2: DISPLAYPORT MALE  
CONTACT: G/F SHELL: Gold-PLATED.
- TEST REQUEST:
  - 100% OPEN SHORT & MIS-WIRE TEST.
  - CONTACT RESISTANCE 3 ohm MAX.
  - INSULATION RESISTANCE 10M ohm MIN.

Tolerance	Inch	mm
.X	.015	.30
.XX	.010	.10
.XXX	.005	.05

Arvanics Corporation

Title  
DHDM-0015K

Draw  
Andy 20/07/16

Customer P/N:

Check

App'd Customer

Engr

Scale NONE Units m/m Third Angle Projection

Dwg No. REV: A Sheet 2/2